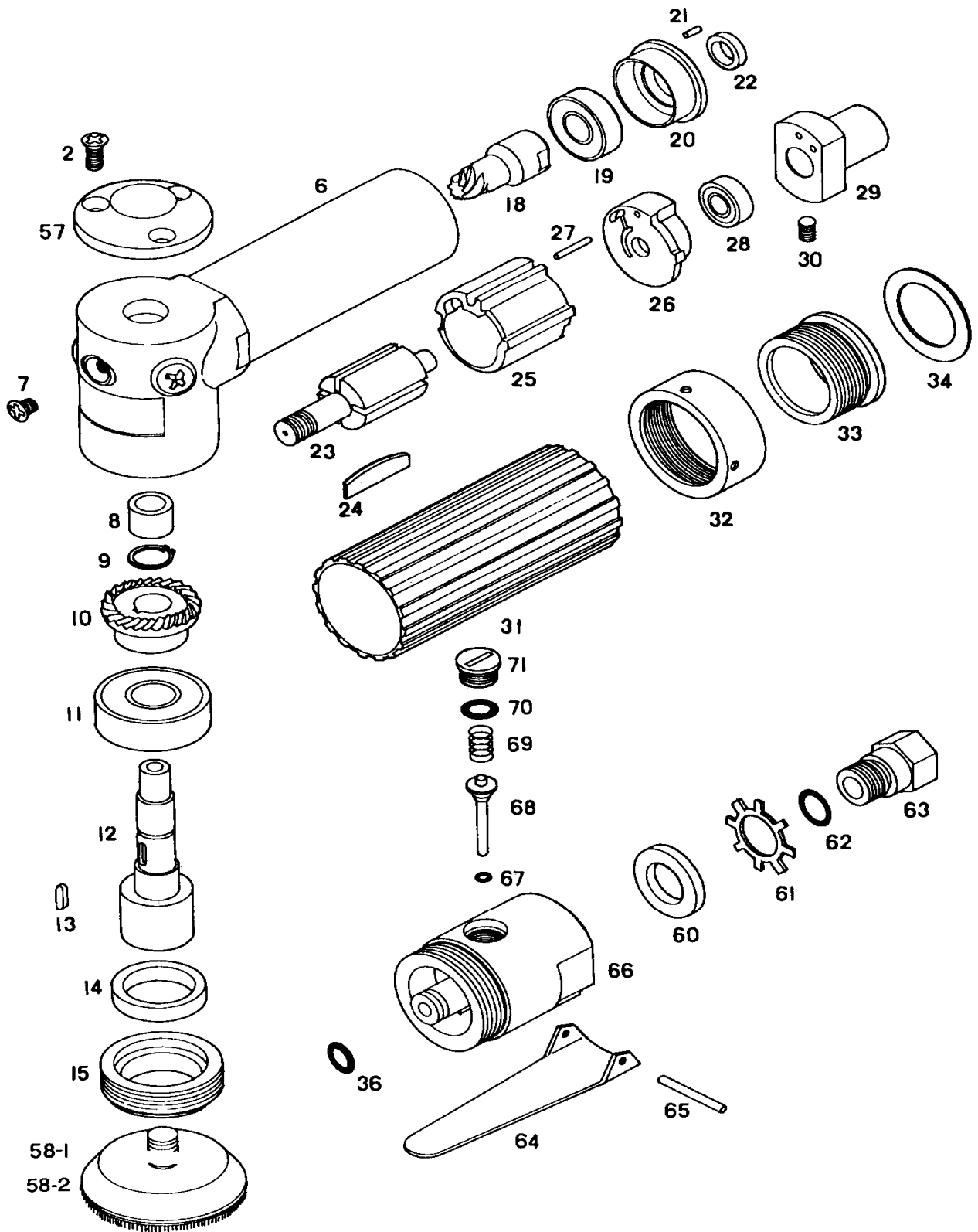


# EXPLODED VIEW



## SPARE PARTS

---

ITEM	ART.NO.	DESCRIPTION
2	M00-4001	FLAT HEAD SCREW
6	M00-4002	BODY
7	M00-4003	SCREW PLUG
8	M00-4004	NEEDLE BEARING
9	M00-4005	SNAP RING
10	M00-4006	GEAR
11	M00-4007	BEARING
12	M00-4008	SPINDLE
13	M00-4009	DOUBLE ROUND KEY
14	M00-4010	OIL SEAL
15	M00-4011	M34 LEFT NUT
18	M00-4012	PINION
19	M00-4013	BEARING
20	M00-4014	F BEARING CASE
21	M00-4015	SPRING PIN
22	M00-4016	ROTOR SPACER
23	M00-4017	ROTOR
24	M00-4018	VANES
25	M00-4019	CYLINDER
26	M00-4020	R BEARING CASE
27	M00-4021	SPRING PIN
28	M00-4022	BEARING
29	M00-4023	INLET CASE
30	M00-4024	HEX. SET SCREW
31	M00-4025	BODY COVER
32	M00-4026	NUT
33	M00-4027	MOTOR CLAMPER
34	M00-4028	GASKET
36	M00-4041	O-RING
57	M00-4050	TOP COVER
58	M00-4043	BACK-UP PAD 75 MM
60	M00-4032	SILENCER
61	M00-4033	WASHER
62	M00-4034	O-RING

## SPARE PARTS

---

ITEM	ART.NO.	DESCRIPTION
63	M00-4035	SILENCER ADAPTER
64	M00-4030	VALVE LEVER
65	M00-2016	SPRING PIN
66	M00-4036	VALVE CASE
67	M00-1007	O-RING
68	M00-1008	VALVE
69	M00-4037	VALVE SPRING
70	M00-4038	O-RING
71	M00-4039	VALVE CAP

## MACHINE & ACCESSORIES

---

ART.NO.	DESCRIPTION
M00-4000	POLISHER 450 PL 72 MM
M00-4043	BACK-UP PAD 75 MM
M00-4047	WOOL COMPOUNDING PAD 80 MM HARD
M00-4045	FOAM PAD 80 MM SOFT