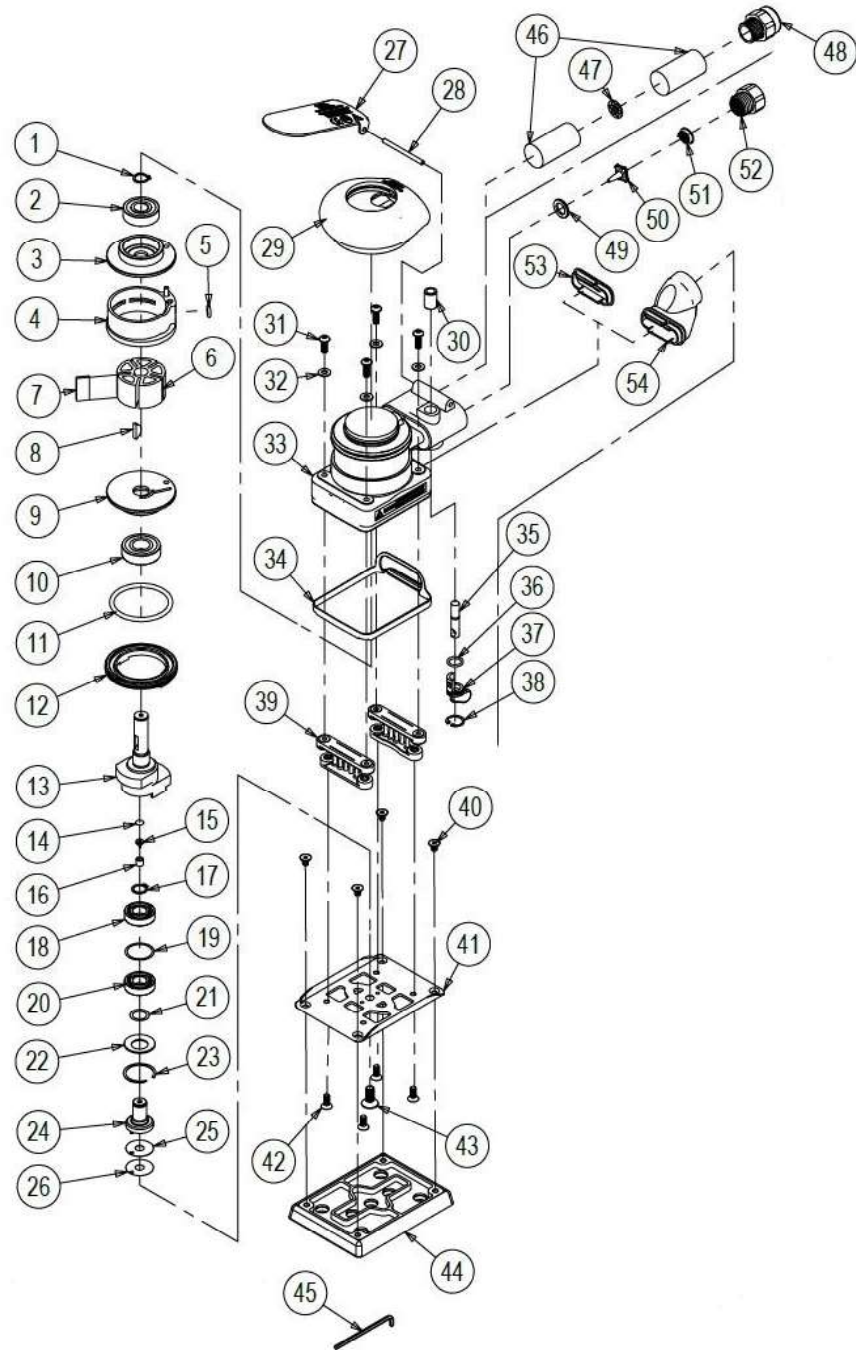




PROMA-X AIR ASSILEX / BUFLEX SANDER

70 x 108 MM- Art.No.: 910-0660

EXPLODED VIEW



SPARE PARTS

| ITEM | ART.NO. | DESCRIPTION |
|------|-------------|-------------|
| 1 | 910-0660-1 | |
| 2 | 910-0660-2 | |
| 3 | 910-0660-3 | |
| 4 | 910-0660-4 | |
| 5 | 910-0660-5 | |
| 6 | 910-0660-6 | |
| 7 | 910-0660-7 | |
| 8 | 910-0660-8 | |
| 9 | 910-0660-9 | |
| 10 | 910-0660-10 | |
| 11 | 910-0660-11 | |
| 12 | 910-0660-12 | |
| 13 | 910-0660-13 | |
| 14 | 910-0660-14 | |
| 15 | 910-0660-15 | |
| 16 | 910-0660-16 | |
| 17 | 910-0660-17 | |
| 18 | 910-0660-18 | |
| 19 | 910-0660-19 | |
| 20 | 910-0660-20 | |
| 21 | 910-0660-21 | |
| 22 | 910-0660-22 | |
| 23 | 910-0660-23 | |
| 24 | 910-0660-24 | |
| 25 | 910-0660-25 | |
| 26 | 910-0660-26 | |
| 27 | 910-0660-27 | |
| 28 | 910-0660-28 | |
| 29 | 910-0660-29 | |
| 30 | 910-0660-30 | |
| 31 | 910-0660-31 | |
| 32 | 910-0660-32 | |
| 33 | 910-0660-33 | |
| 34 | 910-0660-34 | |

SPARE PARTS

| ITEM | ART.NO. | DESCRIPTION |
|------|-------------|-------------|
| 35 | 910-0660-35 | |
| 36 | 910-0660-36 | |
| 37 | 910-0660-37 | |
| 38 | 910-0660-38 | |
| 39 | 910-0660-39 | |
| 40 | 910-0660-40 | |
| 41 | 910-0660-41 | |
| 42 | 910-0660-42 | |
| 43 | 910-0660-43 | |
| 44 | 910-0660-44 | |
| 45 | 910-0660-45 | |
| 46 | 910-0660-46 | |
| 47 | 910-0660-47 | |
| 48 | 910-0660-48 | |
| 49 | 910-0660-49 | |
| 50 | 910-0660-50 | |
| 51 | 910-0660-51 | |
| 52 | 910-0660-52 | |
| 53 | 910-0660-53 | |
| 54 | 910-0660-54 | |

MACHINE & ACCESSORIES

| ART.NO. | DESCRIPTION |
|------------|-----------------------------------|
| 910-0660 | PROMA-X AIR ASSILEX BUFLEX SANDER |
| 910-0660-1 | BACK-UP PAD 70 X 108 MM |