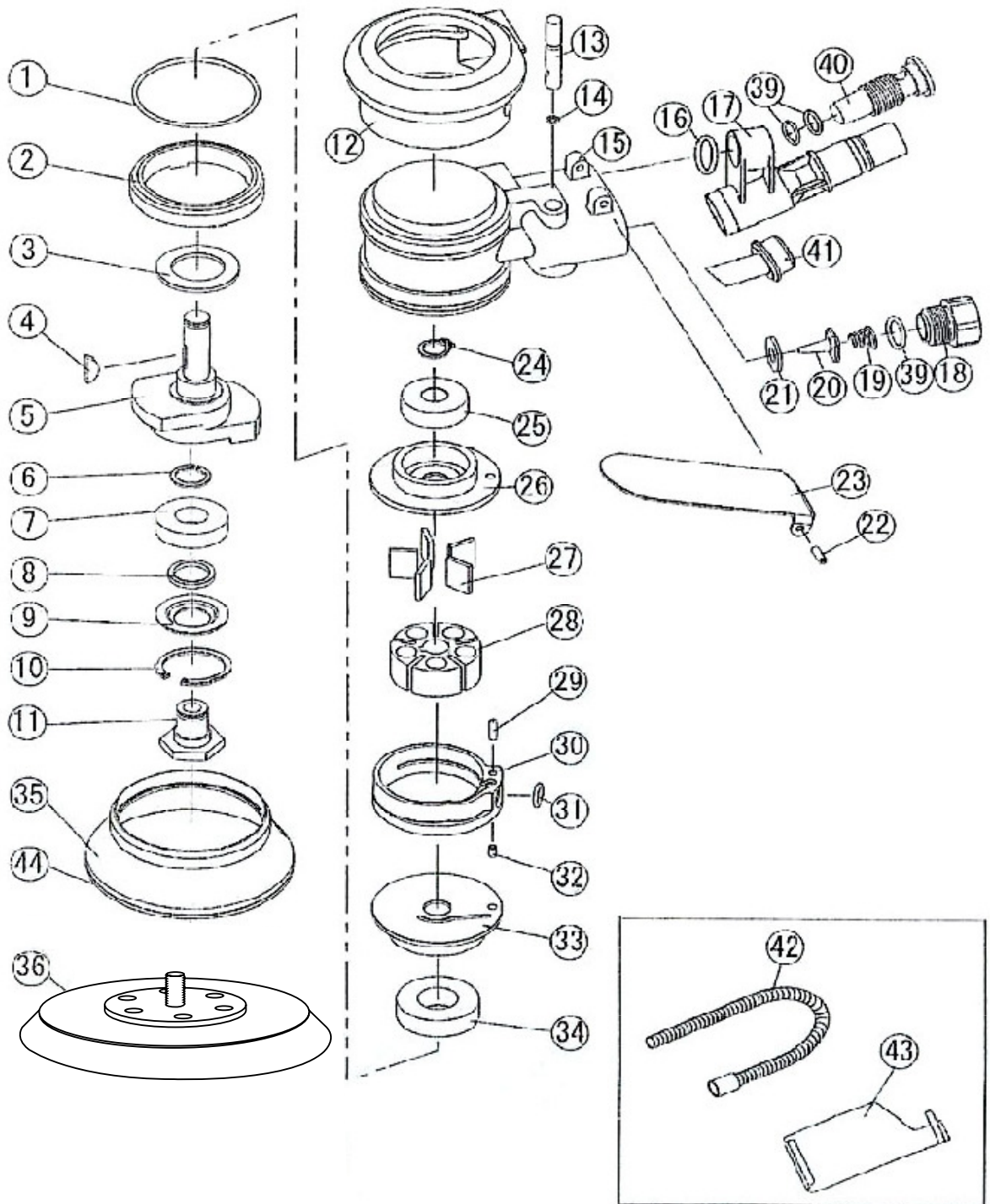


EXPLODED VIEW



SPARE PARTS

ITEM	ART.NO.	DESCRIPTION
1	910-0104D-01	O-RING
2	910-0104D-02	LOCK RING
3	910-0104D-03	DUST SEAL
4	910-0104D-04	H/R KEY
5	910-0104D-05	SHAFT
6	910-0104D-06	SNAP RING
7	910-0104D-07	BEARING
8	910-0104D-08	FELT RING
9	910-0104D-09	FELT COVER
10	910-0104D-10	SNAP RING
11	910-0104D-11	BALANCER SHAFT
12	910-0104D-12	BODY COVER
13	910-0104D-13	VALVE STEM
14	910-0104D-14	O-RING
15	910-0104D-15	BODY
16	910-0104D-16	O-RING
17	910-0104D-17	EJECTOR BODY
18	910-0104D-18	INLET BUSHING
19	910-0104D-19	VALVE SPRING
20	910-0104D-20	TIP VALVE
21	910-0104D-21	SEAL WASHER
22	910-0104D-22	SPRING PIN
23	910-0104D-23	VALVE LEVER
24	910-0104D-24	RETAINER RING
25	910-0104D-25	BEARING
26	910-0104D-26	U-BEARING CASE
27	910-0104D-27	VANE
28	910-0104D-28	ROTOR
29	910-0104D-29	SPRING PIN
30	910-0104D-30	CYLINDER
31	910-0104D-31	O-RING
32	910-0104D-32	SPRING PIN
33	910-0104D-33	L-BEARING CASE
34	910-0104D-34	BEARING

SPARE PARTS

ITEM	ART.NO.	DESCRIPTION
35	910-0104D-35	HOOD
36	972-0015	BACK-UP PAD 125 MM - 7 HOLES
39	910-0104D-39	O-RING
40	910-0104D-40	EJECTOR PLUG. ASSY.
41	910-0104D-41	EJECTOR ADAPTOR
44	910-0104D-44	DUST SEAL

MACHINE & ACCESSORIES

ART.NO.	DESCRIPTION
910-0104D	ORBITAL SANDER
972-0015	BACK-UP PAD 125 MM - 7 HOLES