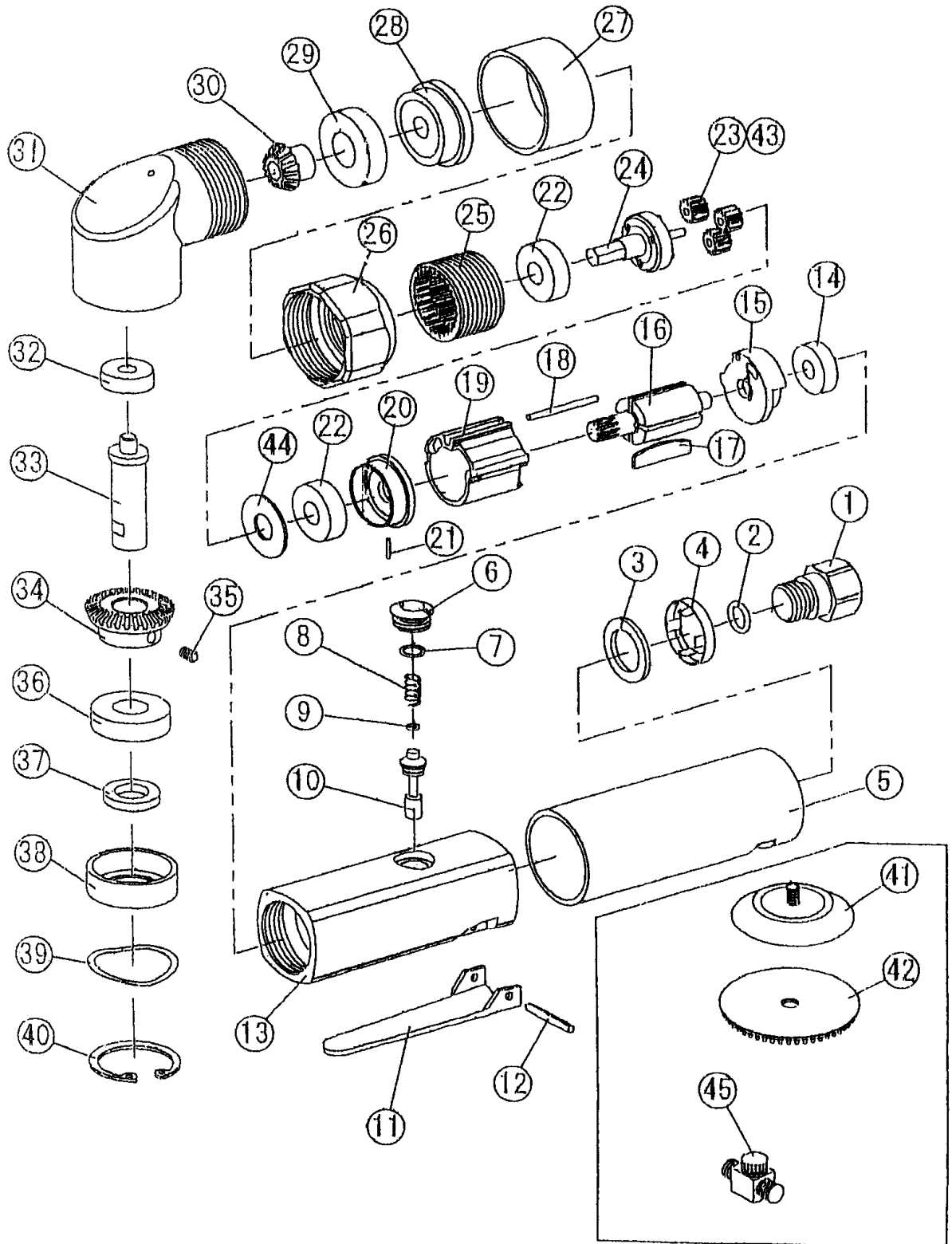


EXPLODED VIEW



SPARE PARTS

ITEM	ART.NO.	DESCRIPTION
1	910-0301-1	INLET BUSHING
2	910-0301-2	O-RING (P10)
3	910-0301-3	MUFFLER
4	910-0301-4	SILENCER
5	910-0301-5	BODY COVER
6	910-0301-6	VALVE PLUG
7	910-0301-7	O-RING (PP8)
8	910-0301-8	VALVE SPRING
9	910-0301-9	O-RING (P4)
10	910-0301-10	VALVE STEM
11	910-0301-11	THROTTLE LEVER
12	910-0301-12	SPRING PIN (3 X 24)
13	910-0301-13	BODY
14	910-0301-14	BEARING (R4ZZ)
15	910-0301-15	U-BEARING CASE
16	910-0301-16	ROTOR
17	910-0301-17	VANE
18	910-0301-18	CYLINDER PIN
19	910-0301-19	CYLINDER
20	910-0301-20	L-BEARING CASE
21	910-0301-21	SPRING PIN (1.2 X 8)
22	910-0301-22	BEARING (608ZZ)
23	910-0301-23	IDLE GEAR
24	910-0301-24	SPINDLE WITH NEEDLES
25	910-0301-25	INTERNAL GEAR
26	910-0301-26	LOCK NUT
27	910-0301-27	NUT COVER
28	910-0301-28	SPACER
29	910-0301-29	BEARING (6001)
30	910-0301-30	PINION
31	910-0301-31	ANGLE HOUSING
32	910-0301-32	BEARING (626ZZ)
33	910-0301-33	SPINDLE
34	910-0301-34	BEVEL GEAR

SPARE PARTS

ITEM	ART.NO.	DESCRIPTION
35	910-0301-35	SCREW
36	910-0301-36	BEARING
37	910-0301-37	DUST SEAL
38	910-0301-38	BEARING COVER
39	910-0301-39	WAVE WASHER
40	910-0301-40	RETAINER RING
41	M00-4043	BACK-UP PAD 75 MM
42	M00-4047	WOOL COMPOUNDING PAD 80 MM HARD
43	910-0301-43	NEEDLE ROLLER
44	910-0301-44	THRUST PLATE
45	910-0301-45	REGULATOR

MACHINE & ACCESSORIES

ART.NO.	DESCRIPTION
910-0301	POLISHER KP-301 72 MM
M00-4043	BACK-UP PAD 75 MM
M00-4047	WOOL COMPOUNDING PAD 80 MM HARD