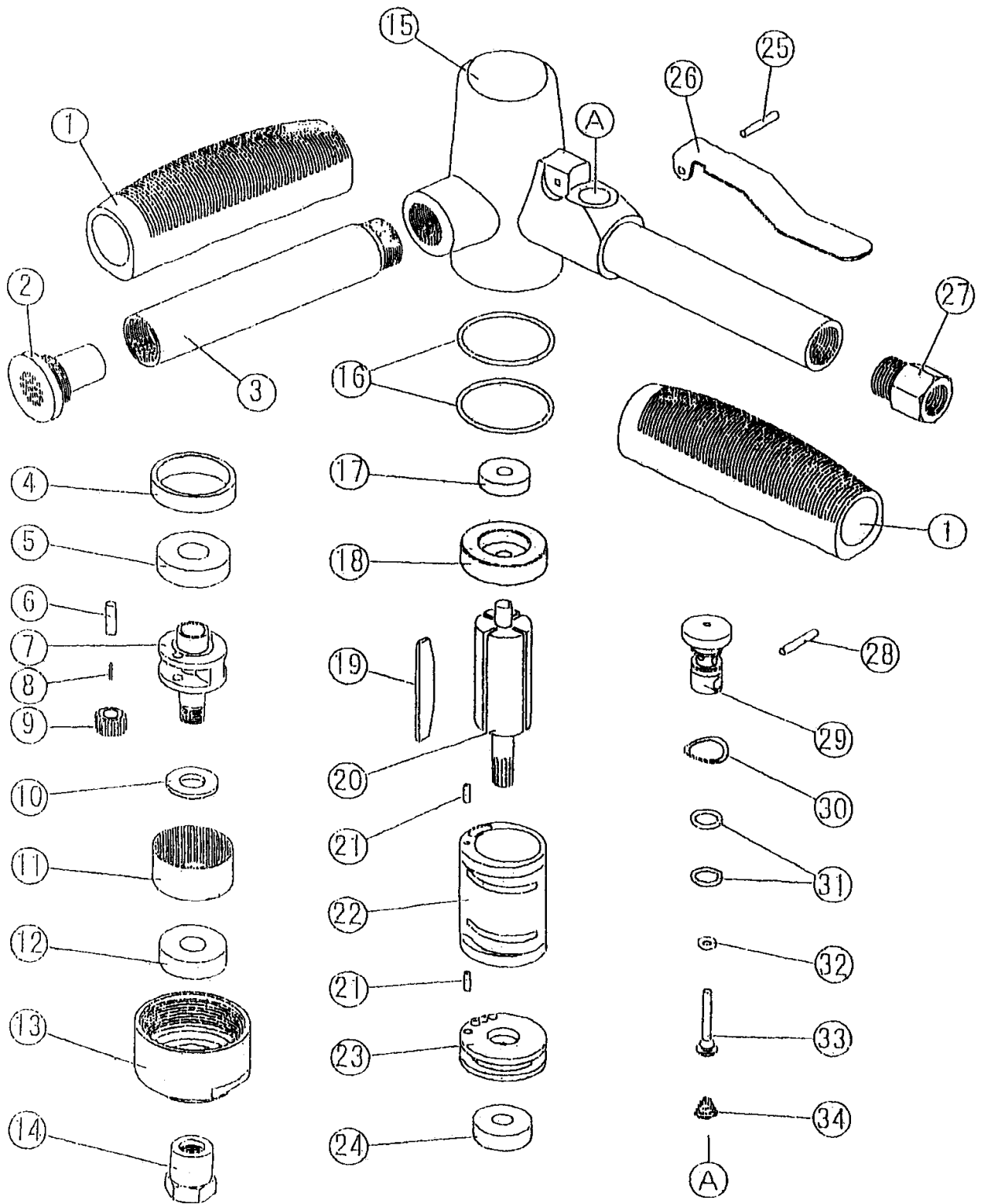


# EXPLODED VIEW



# SPARE PARTS

---

ITEM	ART.NO.	DESCRIPTION
1	910-0302-1	GRIP COVER
2	910-0302-2	MUFFLER ASSY.
3	910-0302-3	SIDE HANDLE
4	910-0302-4	BEARING SLEEVE
5	910-0302-5	BEARING (6001ZZ)
6	910-0302-6	NEEDLE ROLLER
7	910-0302-7	SPINDLE
8	910-0302-8	NEEDLE ROLLER
9	910-0302-9	IDLE GEAR
10	910-0302-10	SPINDLE SPACER
11	910-0302-11	INTERNAL GEAR
12	910-0302-12	BEARING (6000ZZ)
13	910-0302-13	CLAMP NUT
14	910-0302-14	SCREW JOINT
15	910-0302-15	BODY
16	910-0302-16	O-RING
17	910-0302-17	BEARING
18	910-0302-18	R-BEARING CASE
19	910-0302-19	VANE
20	910-0302-20	ROTOR
21	910-0302-21	SPRING PIN (Ø 2.5 X 8)
22	910-0302-22	CYLINDER
23	910-0302-23	F-BEARING CASE
24	910-0302-24	BEARING
25	910-0302-25	SPRING PIN
26	910-0302-26	VALVE LEVER
27	910-0302-27	INLET BUSHING
28	910-0302-28	NEEDLE ROLLER
29	910-0302-29	REGULATOR
30	910-0302-30	WAVE WASHER
31	910-0302-31	O-RING
32	910-0302-32	O-RING
33	910-0302-33	VALVE STEM
34	910-0302-34	VALVE SPRING

## MACHINE & ACCESSORY

---

ART.NO.	DESCRIPTION
910-0302	POLISHER KP-302 123 MM
972-3021	BACK-UP PAD 125 MM